



**Levelling System**  
±15° tilt and 360° pan



**Handle Control**  
and removable



**Rifle Clamp**  
head option (GM)



**Arca/Picatinny**  
head option (PR)



# ENDEAVOR RL

Designed for precision shooters, this system features a levelling base that is easy control with the handle, and is removable for flexibility.

# THE LEVELLING SYSTEM



Endeavor RL models include a “Removable Levelling” system that can tilt  $\pm 15^\circ$  and rotate  $360^\circ$

Simply release the lock by turning the handle below the base, move to your preferred position and lock it. Simple and intuitive, and this:

- Allows you to level your rifle on uneven terrain in seconds
- Allows you to adjust your point of aim with ease
- Gives you a comfortable hold on the tripod for additional stability and then respond quickly to movement

# MAXIMISING VERSATILITY



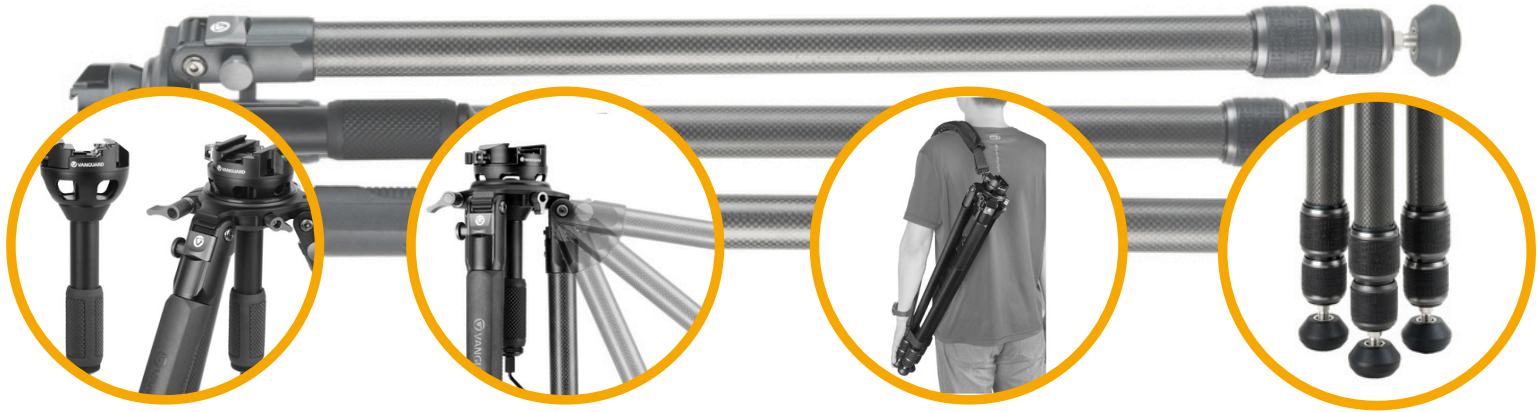
Alta Pro 3VRL parts available separately

TIP



There are screws in the base of the removable “Platform” and “Level” to ensure a solid fit to your chosen head

# COMMON FEATURES



**Levelling System**  
±15° tilt and 360° pan

**3 Easy Set Leg Angles**  
23°, 50° & 80°

**Shoulder Strap**  
for easy transport

**Rubber & Spiked Feet**  
& easy clean leg locks

## "GM" MODELS



"GM" models include a removable **Endeavor GM-70** Gun Mount, a universal rifle clamp that can fit any forestock from 30mm to 70mm, with an oversized handle that is easy to use in any conditions, and a rubber inner to protect your rifle. The clamp is attached with a 3/8" thread, and includes an Arca compatible base, so it can also be used on any suitable tripod or any of the "PR" models.

## "PR" MODELS



**PICATINNY**

**ARCA**

"PR" models include a built in, dual clamp system. The top clamp is designed to fit Arca compatible plates (like the Endeavor GM-70 or many spotting scope feet), and the lower clamp is designed to hold an Endeavor Picatinny Rail securely.

# PRODUCT SPECIFICATIONS

ENDEAVOR RL	303APR	303CPR	303AGM	303CGM
Head Name	-		ENDEAVOR GM-70	
Head Style	Arca & Picatinny Clamp		Rifle Clamp	
Quick Release Plate	QS-75P & Picatinny Rail		-	
Removable Head	No		Yes	
Thread Size	-		3/8" & 1/4"	
Levelling Bowl With Handle	Yes		Yes	
Tilt	±15°		±15°	
Pan	360°		360°	
Leg Material	Aluminium	Carbon Fibre	Aluminium	Carbon Fibre
Weight	2350g	2050g	3165g	2865g
Max. Load Capacity	25kg		25kg	
Leg Diameter	26mm30mm		30mm	
Leg Sections	3		3	
Extended Height	1610mm		1625mm	
Low Angle Height	235mm		235mm	
Folded Height	735mm		810mm	
Leg Grip Foam	Yes		Yes	
Feet Type	Rubber & Spiked Feet		Rubber & Spiked Feet	
Tripod Bag	-		-	
Shoulder Strap	Yes		Yes	

## TIP

If you want the tripod to hold your rifle securely in place and free your hands, but need to adjust your aim quickly, then simply leave the levelling system slightly loose.